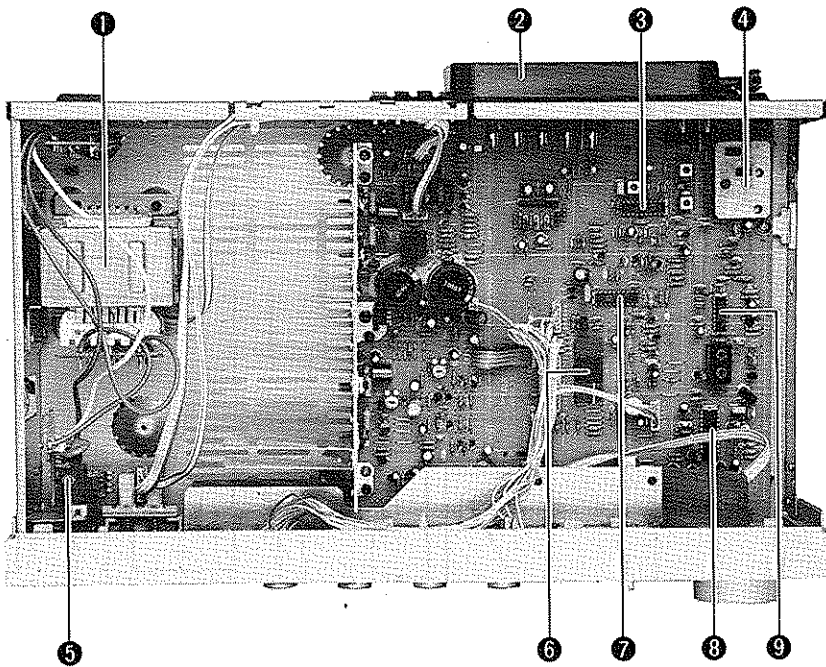


## INTERNAL VIEW



- ① POWER TRANSFORMER  
U.S.A. model: GA68800  
Canadian model: GA68810  
General model: GA68820  
European model: GA68830  
Australian & British models: GA68840
- ② AM LOOP ANTENNA
- ③ AM IC: LA1245
- ④ FRONT END PACK
- ⑤ POWER SWITCH
- ⑥ 4 BIT CPU IC: LC7030
- ⑦ PLL IC: LM7000
- ⑧ MPX IC: LA3400
- ⑨ FM IF IC: LA1235

## DISASSEMBLY PROCEDURES

### 1. Removal of Top Cover

Remove 7 screws ( ① ) in Fig. 1, and slide the Top Cover back.

### 2. Removal of Front Panel

Remove 4 screws ( ② ) and 4 hooks in Fig. 1, and pull the Front Panel forward.

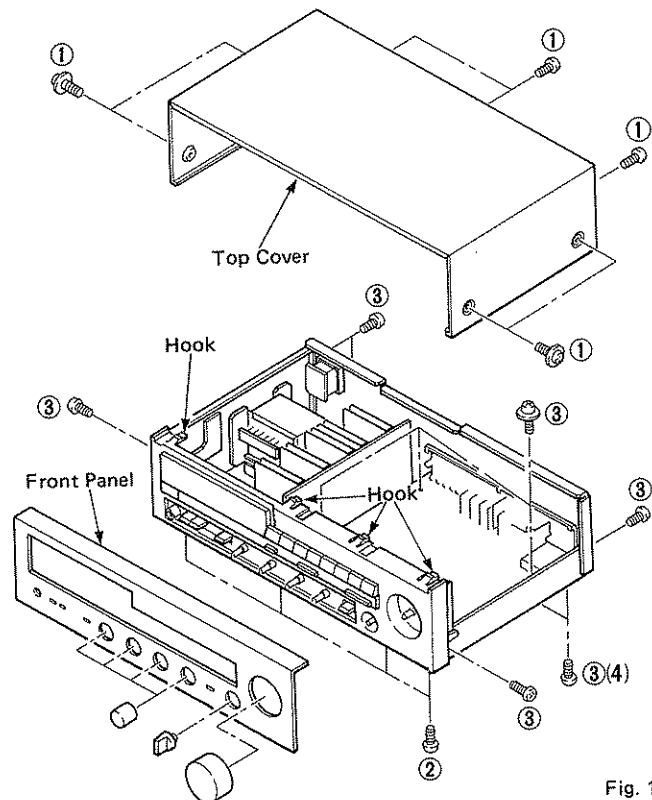


Fig. 1.

### 3. Check of Main Circuit Board (1) & replacement of parts.

- a. Remove 12 screws ( ③ ) in Fig. 1.
  - b. Push the Power switch on.
  - c. Remove the Main Chassis as shown in Fig. 2
- In this condition it is possible for you check the Main Circuit Board (1) and replace the parts.

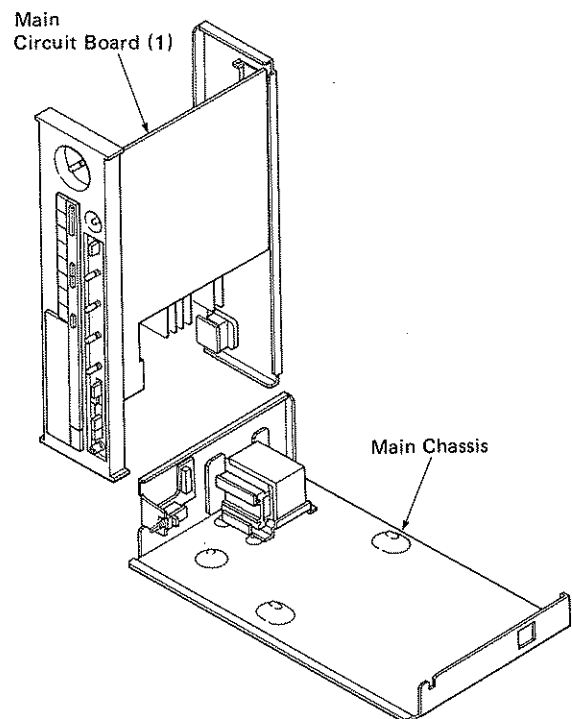
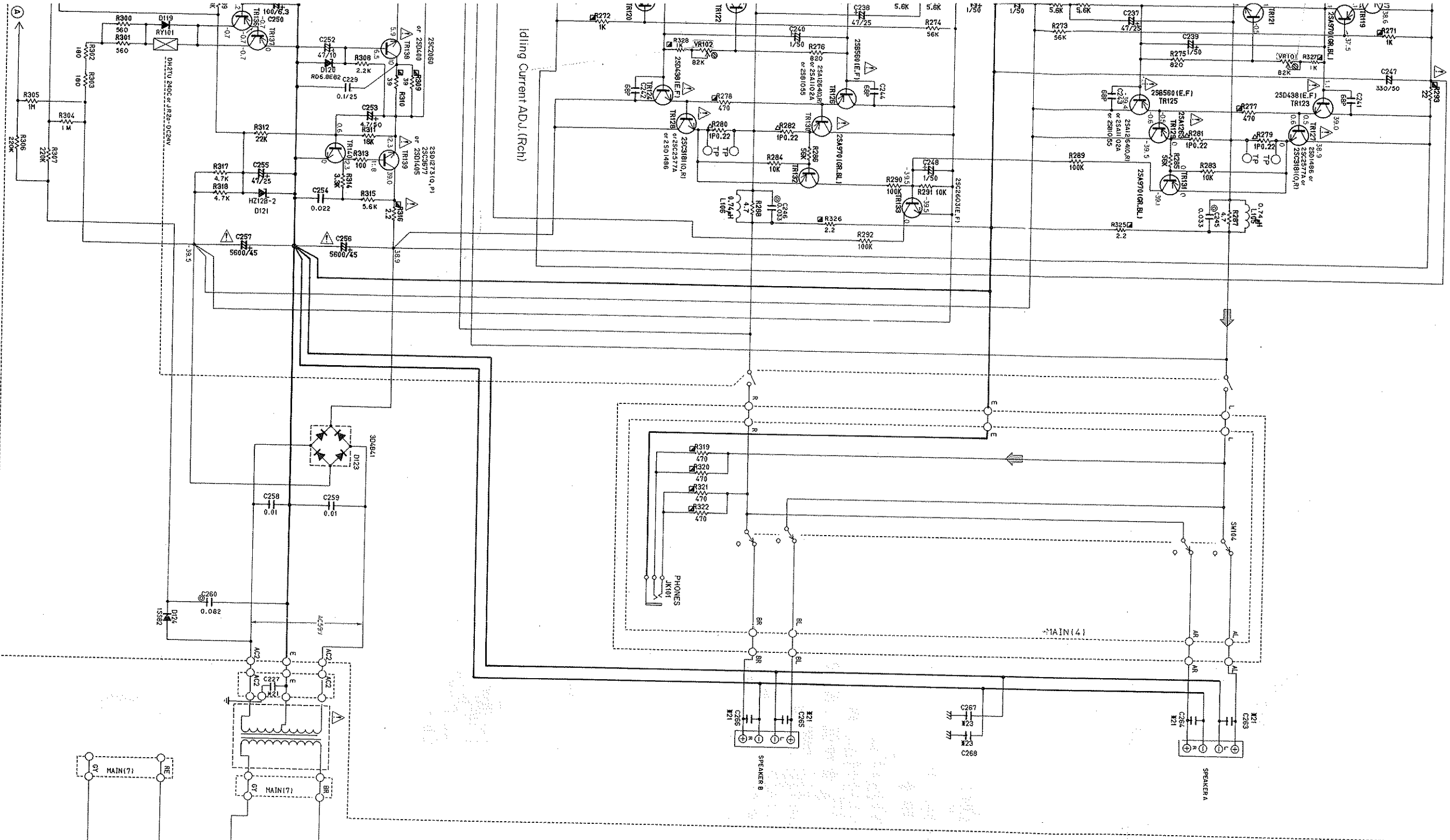


Fig. 2

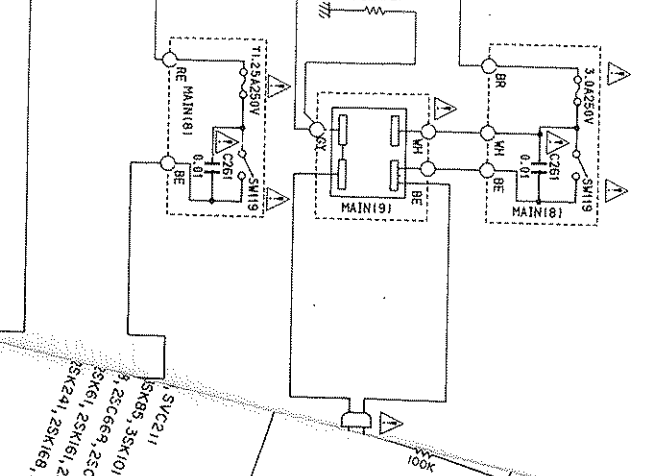
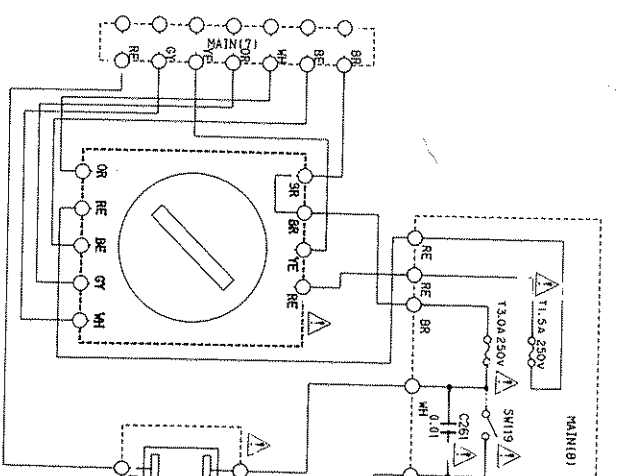




UNLESS OTHERWISE SPECIFIED:  
 DIODES ARE 1S1555 OF 1S2473  
 PNP TRANSISTORS ARE 2SA115(E,F) or 2SA1310(R,S,T)  
 NPN TRANSISTORS ARE 2SC2603(E,F) or 2SC3312(R,S,T)

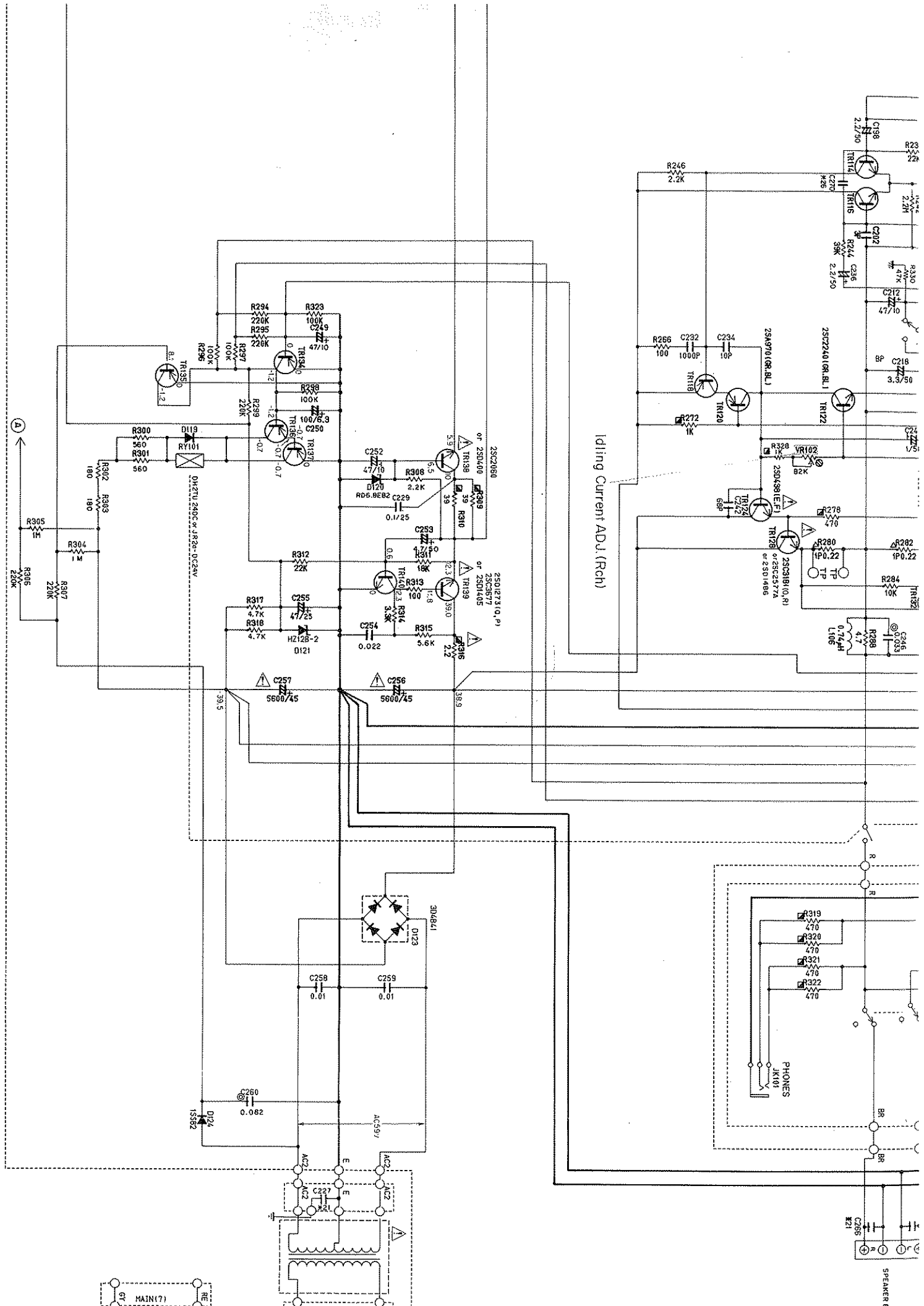
REMARKS	PARTS NAME
NO MARK	CARBON FILM RESISTOR
□	CARBON FILM RESISTOR (1/6W)
△	METAL OXIDE FILM RESISTOR
▲	METAL FILM RESISTOR
▣	METAL PLATE RESISTOR
▤	FIRE PROOF CARBON FILM RESISTOR
▥	SEMENT MOLDED RESISTOR
⊗	SEMI VARIABLE RESISTOR

REMARKS	PARTS NAME
NO MARK	ELECTROLYTIC CAPACITOR
⊙	CERAMIC CAPACITOR
⊚	POLYESTER FILM CAPACITOR (Mylar)
⊖	POLYSTYRENE FILM CAPACITOR
⓪	MICA CAPACITOR
Ⓛ	POLYPROPYLENE FILM CAPACITOR
●	SEMICONDUCTIVE CERAMIC CAPACITOR



- All voltages in condition.
- Component replaced with schematic.

1SVK211  
 3Kk49, 33K/10  
 2SC669, 2SC6  
 30K1, 20K/1, 25C  
 25K241, 25K169, 2



Idling Current ADJ. (Rch)

UNLESS OTHERWISE SPECIFIED :  
 DIODES ARE 1S1555 or 1S2473  
 PNP TRANSISTORS ARE 2SA1115(E,F) or 2SA1131(1)  
 NPN TRANSISTORS ARE 2SC2603(E,F) or 2SC3912

